

QuickFind 406 EPIRB



- ▶ Fully GMDSS compliant
- ▶ Small and lightweight
- ▶ Easy and Flexible Mounting
- ▶ Designed for fast and easy service
- ▶ Full function test
- ▶ Easy remote programming of vessel identity
- ▶ Automatic float-free housing
- ▶ Totally watertight
- ▶ Equipped with long-storage time lithium batteries
- ▶ World-wide coverage

GMDSS float free satellite
emergency positioning
RADIOBEACON at
www.mussonmarine.com

QuickFind 406 EPIRB

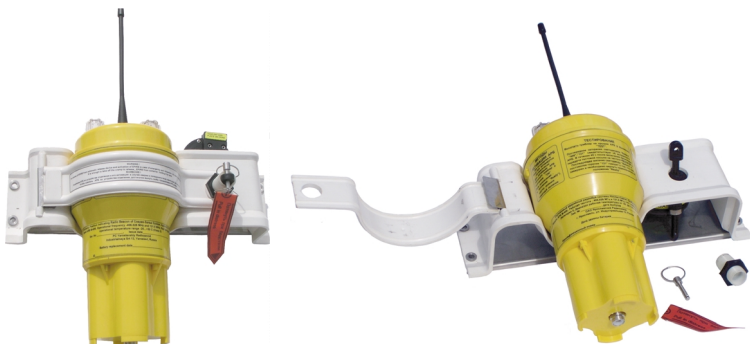
QuickFind 406 Float Free Satellite Emergency Position Indicating Radio Beacon (EPIRB) complies with the IMO requirements for COSPAS-SARSAT system and is a mandatory item in the GMDSS (Global Maritime Distress Safety System).

It provides:

- Quick identification, because each beacon has unique code
- Positioning to within one nautical mile with short response time

At depth of 4 meters the beacon is automatically activated to transmit distress signal (position and identity).

Optional bracket:



General Specification:

Message format:	MMSI, Serialised, Call Sign
Programming:	Easy remote programming
Temperature:	Operating: -30C to 55 Class 2 Storage: -50C to +70C
Battery:	Lithium, to be replaced every five and a half years, 48 hours operation
Hydrostat:	HRU-1, or Hammer H20 for replacement
Weight with bracket:	2.5 kg
Warranty period:	5 years

Technical Specification:

406MHz Transmitter

Frequency	406.028MHz+/-1kHz
Output Power	5 Watts +/-2dB
Modulation	Biphase 1.1 +/-0.1 radians
Data Encoding	Bi phase L
Antenna	External vertical whip

121.5MHz Transmitter

Frequency	121.5MHz+/-3KHz
Output Power	50mW
Modulation	AM, or sweep tone

Strobelight

Effective intensity	>1 candela
Flash Rate	<23 flashes per minute

Approvals:

Complies with IMO resolutions A662(16), A694(17), A810 (19)
Complies to COSPAS-SARSAT C.S.T.001 and T.007
Pending Wheel Mark Approval

*Typical specification are subject to change without notice.

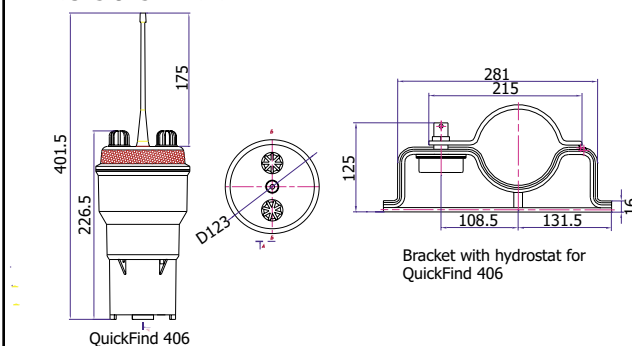
Ordering information

- QuickFind 406 - EPIRB in Float Free bracket
 - QuickFind 406 M - EPIRB in bracket with manual activation
- Accessories:
Hydrostat HRU-1 (by Musson Marine Ltd)
Power Supply Unit PSU-1 (by Musson Marine Ltd)

When ordering QuickFind 406, the following information must be submitted

1. Identification serial number
2. MMSI code or Call sign depending on what protocol is preferred

Dimensions in mm



Musson Marine Ltd
29/4a Vakulenchuk Str, P.O.Box 20,
99053, Sevastopol, Ukraine
Tel: +38 0692 555628
Fax: +38 0692 557123
E-mail: sales@mussonmarine.com
Web: www.mussonmarine.com

Agent/Distributor: