

# MP-406 EPIRB

- F**ully GMDSS compliant
- F**ull function test
- D**esigned for fast and easy service
- E**asy and Flexible Mounting
- S**mall and lightweight
- E**asy remote programming of vessel identity
- A**utomatic float-free housing
- T**otally watertight
- E**quipped with long-storage time lithium batteries
- W**orld-wide coverage



GMDSS float free satellite  
emergency positioning  
RADIOBEACON

# MP-406 EPIRB

MP-406 Float Free Satellite Emergency Position Indicating Radio Beacon (EPIRB) complies with the IMO requirements for COSPAS-SARSAT system and is a mandatory item in the GMDSS (Global Maritime Distress Safety System).  
It provides: quick identification, because each beacon has unique code, positioning to within one nautical mile with short response time  
At depth of 4 meters the beacon is automatically activated to transmit distress signal (position and identity).

## General Specification:

Message format: MMSI, Serialised, Call Sign  
Programming: Easy remote programming  
Temperature: Operating: -30C to 55  
Class 2  
Storage: -50C to +70C  
Battery: Lithium, to be replaced every five and a half years, 48 hours operation  
Hammar H20  
Hydrostat: Hammar H20  
Weight with bracket: 2,2 kg (Including the weight of Hammar 20)  
Weight with bracket: 2,0 kg (EPIRB weight - 1kg, Bracket weight - 1kg)  
Warranty period: 5 years

## Manual and Float Free Version Available



Manual Version

Float-Free version

## Ordering information

- MP-406 A - EPIRB in Float Free bracket
- MP-406 M - EPIRB in bracket with manual activation

## Accessories:

Power Supply Unit PSU-1

When ordering MP-406, the following information must be submitted: 1. Identification serial number  
2. MMSI code or Call sign depending on what protocol is preferred

## Technical Specification:

### 406MHz Transmitter

Frequency 406.028MHz+/-1kHz  
Output Power 5 Watts +/-2dB  
Modulation Biphas 1.1 +/-0.1 radians  
Data Encoding Bi phase L  
Antenna External vertical whip

### 121.5MHz Transmitter

Frequency 121.5MHz+/-3KHz  
Output Power 50mW  
Modulation AM, or sweep tone

### Strobelight

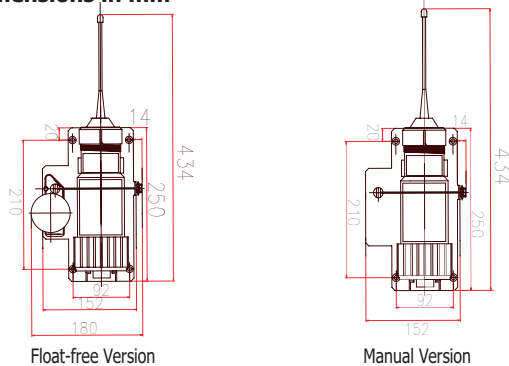
Effective intensity >1 candela  
Flash Rate <23 flashes per minute

## Approvals:

Complies with IMO resolutions A662(16), A694(17), A810 (19)  
Complies to COSPAS-SARSAT C.S.T.001 and T.007  
Pending Wheel Mark Approval

\*Typical specification are subject to change without notice.

## Dimensions in mm



## Musson Marine Ltd

29/4a Vakulenchuk Str, P.O.Box 20,  
99053, Sevastopol, Ukraine  
Tel: +38 0692 555628  
Fax: +38 0692 557123  
E-mail: sales@mussonmarine.com  
Web: www.mussonmarine.com

Agent/Distributor: