

Hydrostatic Release Unit G-5



The G-5 Hydrostat is an automatic release device for use with Liferafts, EPIRBs and other equipment.

The Hydrostatic Release Unit G-5 is widely used for Emergency Position Indicating Radio Beacons (EPIRB). Should the vessel sink, the G-5, which is activated by increasing water pressure, will automatically release the EPIRB. On reaching the surface the EPIRB starts to emit a signal of identification and position to a satellite. Instead of the rope sling a specially developed plastic bolt secures the radio beacon and will be cut when the unit is activated.

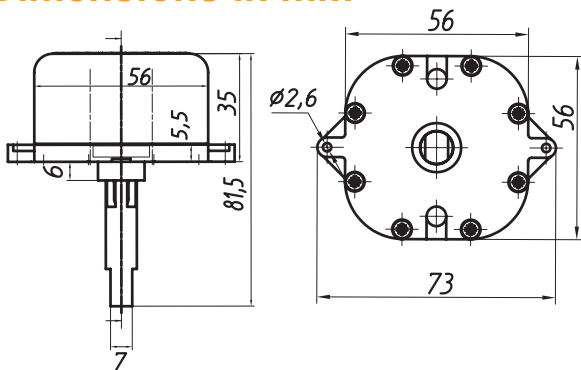
FEATURES

- Complies with the latest SOLAS and IMO resolutions and COSPAS-SARSAT recommendations
- Compact size
- Two years service life after installing



Hydrostatic Release Unit G-5 is available in different colors

Dimensions in mm



Specification

Weight	75g
Operating temperature	-40C..+55C
Storage temperature	-40C..+65C
Service life after installing	2 years
Operating depth	2..4 meters

The G-5 needs no annual service, maintenance or spare parts.
You simple install a new one every two years and dispose of the old one.



Musson Marine Ltd

29/4a Vakulenchuk Str. P.O. Box 20, 99053 Sevastopol, Ukraine

Tel: +38 (0692) 555628 Fax: +38 (0692) 557123 e-mail: sales@mussonmarine.com website: www.mussonmarine.com